

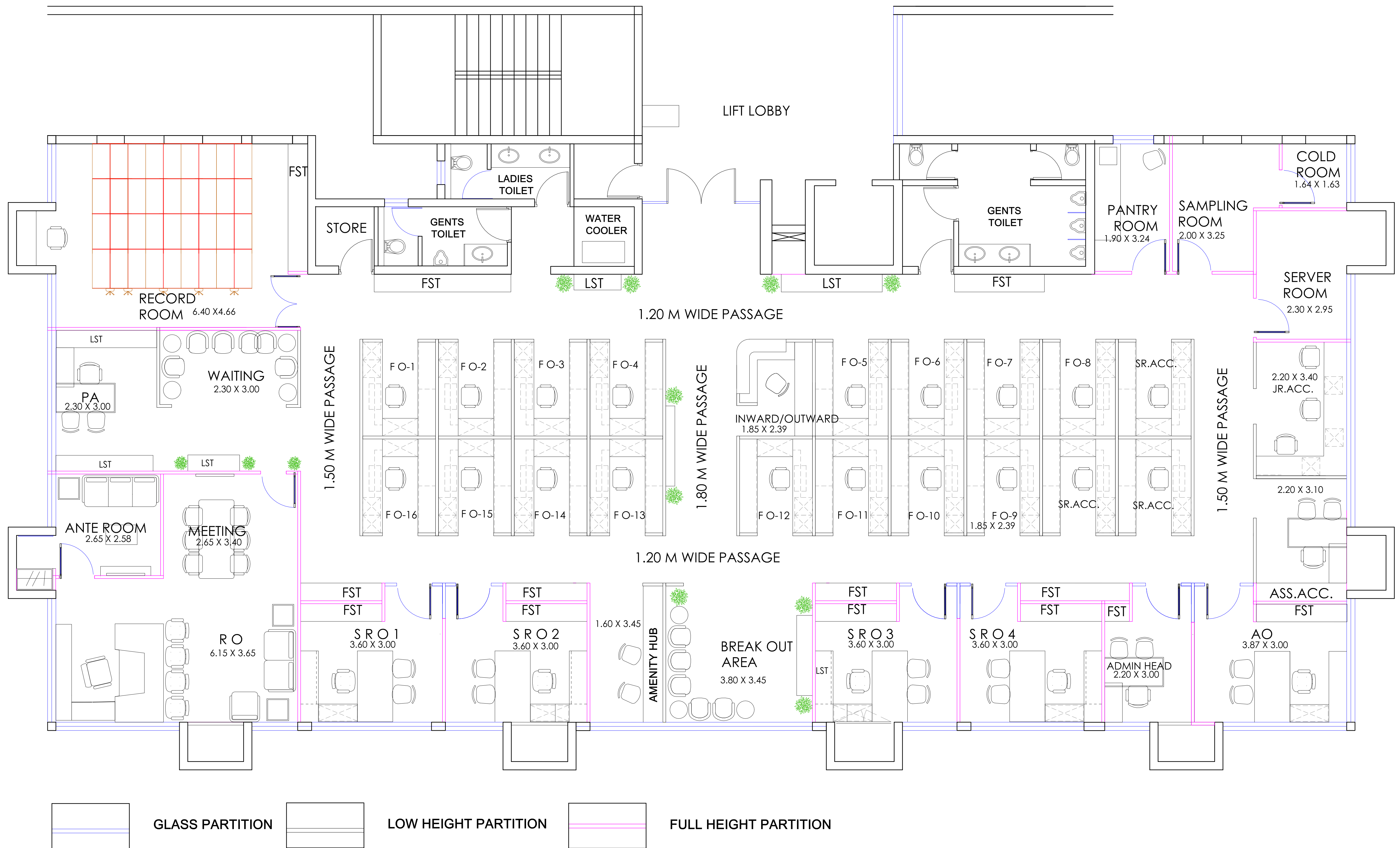


NOTES:
DRAWINGS SHALL NOT BE SCALED. WRITTEN DIMENSIONS TAKES PREFERENCE OVER SCALED DIMENSIONS. ALL DRAWINGS ARE INTER RELATED AND TO BE READ IN CONJUNCTION WITH OTHER RELEVANT CONSULTANTS DWGS. AND SPECIFICATIONS. ALL DRAWINGS ARE PROPERTY OF ARK DESIGNS PVT. LTD. AND CANNOT BE USED WITHOUT THEIR PRIOR PERMISSION.

| NORTH | REVISIONS | | | |
|-------|-----------|------|-----------|--|
| | NO | DATE | CHANGE BY | |
| | | | | |
| | | | | |
| | | | | |
| | | | | |
| | | | | |

| | |
|-------------|---------------------------------|
| CLIENT: | MPCB |
| PROJECT: | PROPOSED INTERIOR OFFICE AT CBD |
| STAGE: | TENDER DRAWING |
| DATE: | 30-09-19 |
| SCALE: | 1:75 |
| DRAWN BY: | PRIYANKA |
| CHECKED BY: | UJWALA |

| | |
|---|---|
| TITLE: FURNITURE LAYOUT -SEVENTH FLOOR | |
| ARK DESIGNS PVT LIMITED | JOB NO. M/01/2013 |
| COMPREHENSIVE CONSULTANCY Email: teamarkdesigns@gmail.com Tel. No., 022 24449817, 24303535 | DRAWING NO. / REVISION NO. MPCB/TEN/INT/ FURN |
| 01 | |

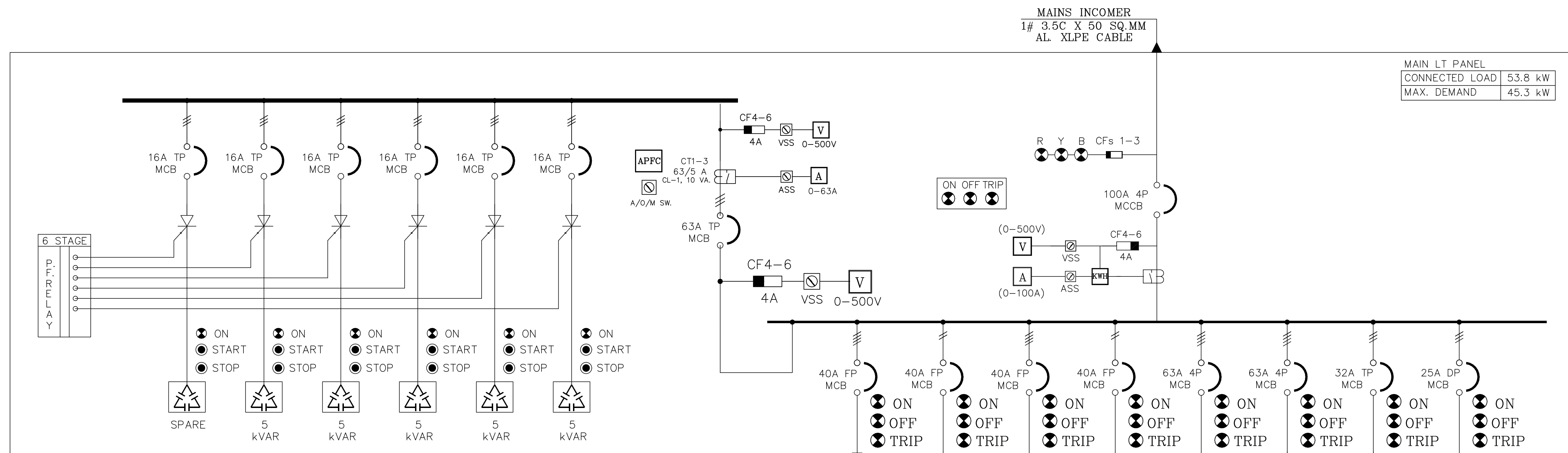


NOTES:
 DRAWINGS SHALL NOT BE SCALED. WRITTEN DIMENSIONS TAKES PREFERENCE OVER SCALED DIMENSIONS. ALL DRAWINGS ARE INTER RELATED AND TO BE READ IN CONJUNCTION WITH OTHER RELEVANT CONSULTANTS DWGS. AND SPECIFICATIONS. ALL DRAWINGS ARE PROPERTY OF ARK DESIGNS PVT. LWD. AND CANNOT BE USED WITHOUT THEIR PRIOR PERMISSION.

| NO | DATE | CHANGE BY | REVISIONS |
|----|------|-----------|-----------|
| | | | |
| | | | |
| | | | |
| | | | |
| | | | |
| | | | |
| | | | |
| | | | |
| | | | |
| | | | |

| | |
|------------|---------------------------------|
| CLIENT: | MPCB |
| PROJECT: | PROPOSED INTERIOR OFFICE AT CBD |
| STAGE: | TENDER DRAWING |
| DATE | 30-09-19 |
| SCALE | 1:50 |
| DRAWN BY | PRİYANKA |
| CHECKED BY | UJWALA |

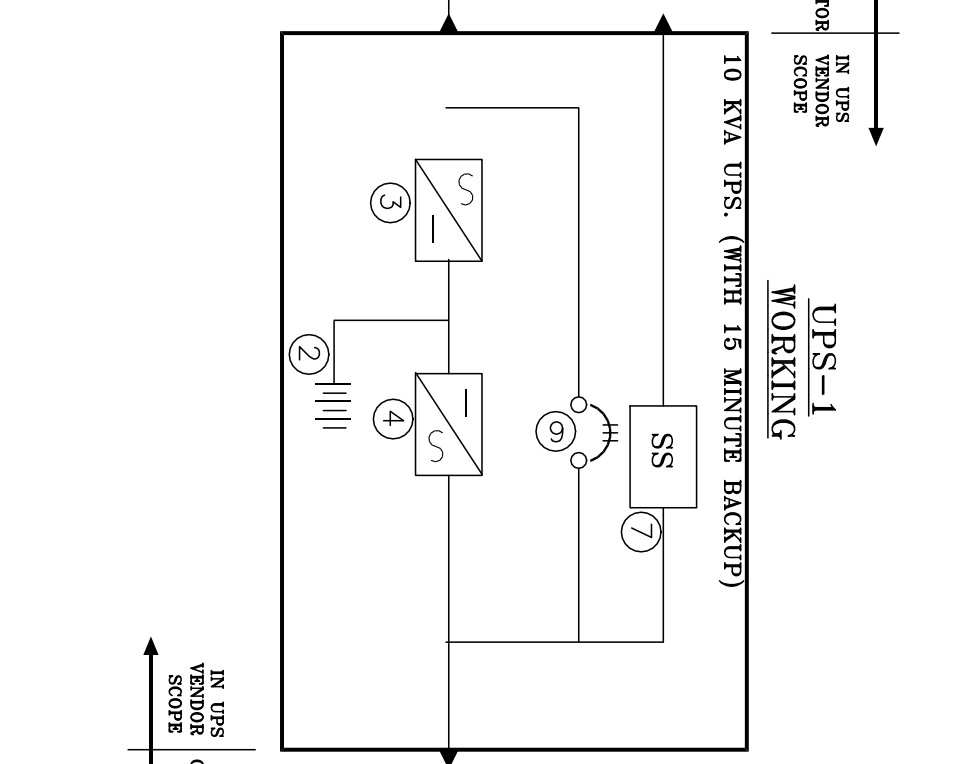
| | |
|--|--------------|
| TITLE: FURNITURE LAYOUT(SIXTH FLOOR) | |
| JOB NO. M/01/2013 | REVISION NO. |
| DRAWING NO. MPCB/TEN/INT/ FURN | 02 |
| COMPREHENSIVE CONSULTANCY Email: teamarkdesigns@gmail.com Tel. No.. 022 24449817, 24303535 | |
| <small> PATH: \\U:\09\09\PROJECT\INTERIOR PROJECT\MPCB\BAPCS\BAGAD BHAVAN CBD\TENDER DWG\FURN_OPTION-07.dwg </small> | |



MAIN LT PANEL
 CONNECTED LOAD 53.8 kW
 MAX. DEMAND 45.3 kW

- TO 10 KVA UPS
CONN. LOAD : 6 KW
M.D. : 5.5 KW
- TO RAW POWER DB
CONN. LOAD : 4.5 KW
M.D. : 3.8 KW
- LIGHTING DB
CONN. LOAD : 10 KW
M.D. : 8 KW
- AC DB
CONN. LOAD : 4.5 KW
M.D. : 4 KW
- VRF OUTDOOR UNIT (12HP)
CONN. LOAD : 9.6 KW
M.D. : 8.5 KW
- VRF OUTDOOR UNIT (16HP)
CONN. LOAD : 13 KW
M.D. : 11 KW
- VRF OUTDOOR UNIT (10HP)
CONN. LOAD : 8 KW
M.D. : 7 KW

(P)+(N)
3 + 2
5# 1C X 6 SQ.MM
CU FLEXIBLE CABLE



(P)+(N)
3 + 2
5# 1C X 6 SQ.MM
CU FLEXIBLE CABLE

| WIRE SIZE | PHASE | DESCRIPTION | LIGHTING NO. / POWER NO. | SWITCH | FIXTURE QTY | TOTAL WATTAGE |
|--------------------|-------|--------------------------|--------------------------|--------|-------------|---------------|
| 3 x 2.5 Sq. mm Cu. | R1 | PP1,PP2,PP3,PP4 | SB3 | MCB | 4 | 400 |
| 3 x 2.5 Sq. mm Cu. | R2 | PP12,PP13,PP14 | SB3 | MCB | 3 | 300 |
| 3 x 2.5 Sq. mm Cu. | R3 | PP22,PP23,PP24 | SB3 | MCB | 3 | 300 |
| 3 x 2.5 Sq. mm Cu. | R4 | PP33,PP34,PP35 | SB3 & SB7 | MCB | 3 | 300 |
| 3 x 2.5 Sq. mm Cu. | R5 | PP41,PP42,PP43,PP44,PP45 | SB3 | MCB | 5 | 500 |
| 3 x 2.5 Sq. mm Cu. | R6 | SPARE | | | | |
| 3 x 2.5 Sq. mm Cu. | Y1 | PP5,PP6,PP7,PP8 | SB3 & SB7 | MCB | 4 | 400 |
| 3 x 2.5 Sq. mm Cu. | Y2 | PP15,PP16,PP17 | SB3 | MCB | 3 | 300 |
| 3 x 2.5 Sq. mm Cu. | Y3 | PP25,PP26 | SB3 | MCB | 2 | 200 |
| 3 x 2.5 Sq. mm Cu. | Y4 | PP33,PP34,PP35 | SB3 & SB2 | MCB | 3 | 300 |
| 3 x 2.5 Sq. mm Cu. | Y5 | SPARE | | | | |
| 3 x 2.5 Sq. mm Cu. | Y6 | SPARE | | | | |
| 3 x 2.5 Sq. mm Cu. | B1 | PP9,PP10,PP11 | SB3 | MCB | 3 | 300 |
| 3 x 2.5 Sq. mm Cu. | B2 | PP18,PP19,PP20,PP21 | SB3 & SB7 | MCB | 4 | 400 |
| 3 x 2.5 Sq. mm Cu. | B3 | PP27,PP28,PP29 | SB3 & SB7 | MCB | 3 | 300 |
| 3 x 2.5 Sq. mm Cu. | B4 | PP36,PP37,PP38,PP39,PP40 | SB3 | MCB | 5 | 500 |
| 3 x 2.5 Sq. mm Cu. | B5 | SPARE | | | | |
| 3 x 2.5 Sq. mm Cu. | B6 | SPARE | | | | |

CONNECTED LOAD 4500 W
 MAXIMUM DEMAND 3600 W
 RPDB (RAW POWER DB)
 8 WAY ETPN DB

| WIRE SIZE | PHASE | DESCRIPTION | LIGHTING NO. / POWER NO. | SWITCH | FIXTURE QTY | TOTAL WATTAGE |
|--------------------|-------|----------------|--------------------------|--------|-------------|---------------|
| 3 x 2.5 Sq. mm Cu. | R1 | PP1,PP2 | SB1 | MCB | 2 | 400 |
| 3 x 2.5 Sq. mm Cu. | R2 | PP6,PP7,PP8 | SB1 | MCB | 3 | 600 |
| 3 x 2.5 Sq. mm Cu. | R3 | PP14,PP15,PP16 | SB1 | MCB | 3 | 600 |
| 3 x 2.5 Sq. mm Cu. | R4 | PP22,PP23,PP24 | SB1 | MCB | 3 | 600 |
| 3 x 2.5 Sq. mm Cu. | R5 | PP30 | SB1 | MCB | 1 | 200 |
| 3 x 2.5 Sq. mm Cu. | R6 | SPARE | | | | |
| 3 x 2.5 Sq. mm Cu. | Y1 | PP3 | SB1 | MCB | 1 | 200 |
| 3 x 2.5 Sq. mm Cu. | Y2 | PP9,PP10,PP11 | SB1 | MCB | 3 | 600 |
| 3 x 2.5 Sq. mm Cu. | Y3 | PP17,PP18,PP19 | SB1 | MCB | 3 | 600 |
| 3 x 2.5 Sq. mm Cu. | Y4 | PP25,PP26,PP27 | SB1 | MCB | 3 | 600 |
| 3 x 2.5 Sq. mm Cu. | Y5 | SPARE | | | | |
| 3 x 2.5 Sq. mm Cu. | Y6 | SPARE | | | | |
| 3 x 2.5 Sq. mm Cu. | B1 | PP4,PP5 | SB1 | MCB | 2 | 400 |
| 3 x 2.5 Sq. mm Cu. | B2 | PP12,PP13 | SB1 | MCB | 2 | 400 |
| 3 x 2.5 Sq. mm Cu. | B3 | PP20,PP21 | SB1 | MCB | 2 | 400 |
| 3 x 2.5 Sq. mm Cu. | B4 | PP28,PP29 | SB1 | MCB | 2 | 400 |
| 3 x 2.5 Sq. mm Cu. | B5 | SPARE | | | | |
| 3 x 2.5 Sq. mm Cu. | B6 | SPARE | | | | |

CONNECTED LOAD 6000 W
 MAXIMUM DEMAND 5400 W
 LDB (UPS POWER DB)
 8 WAY ETPN DB

General conditions :
 Contractors must verify dimensions on the site and report discrepancies if any to this office.
 This drawing is to be read in conjunction with relevant architectural and structural drawings.
 All dimensions are in millimeters and levels are in meters.

CLIENT :
MAHARASHTRA POLLUTION CONTROL BOARD.
RAIGAD BHAVAN

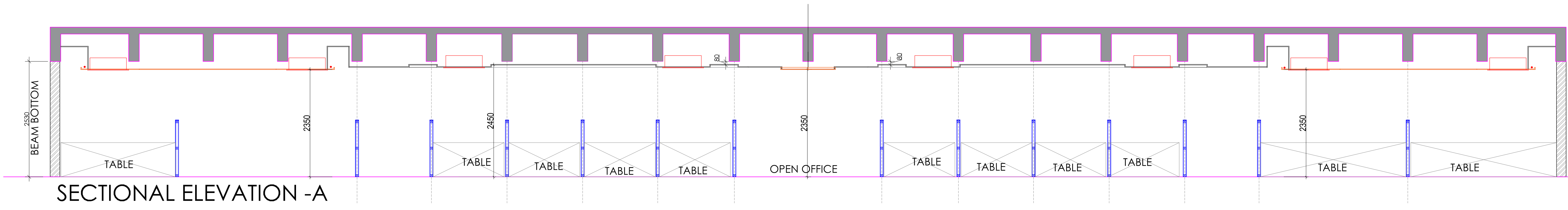
Architect :
ARK DESIGNS PVT LTD ,
MEP CONSULTANTS :
PRO MEP ENGG CONSULTANTS
 H/26A, NUTAN NAGAR,
 GURUNANAK ROAD,
 BANDRA (WEST),
 MUMBAI-400050

Drawn By: MDU
 Checked By: Z.A.
 Scale: NTS
 Date: 12-12-2019

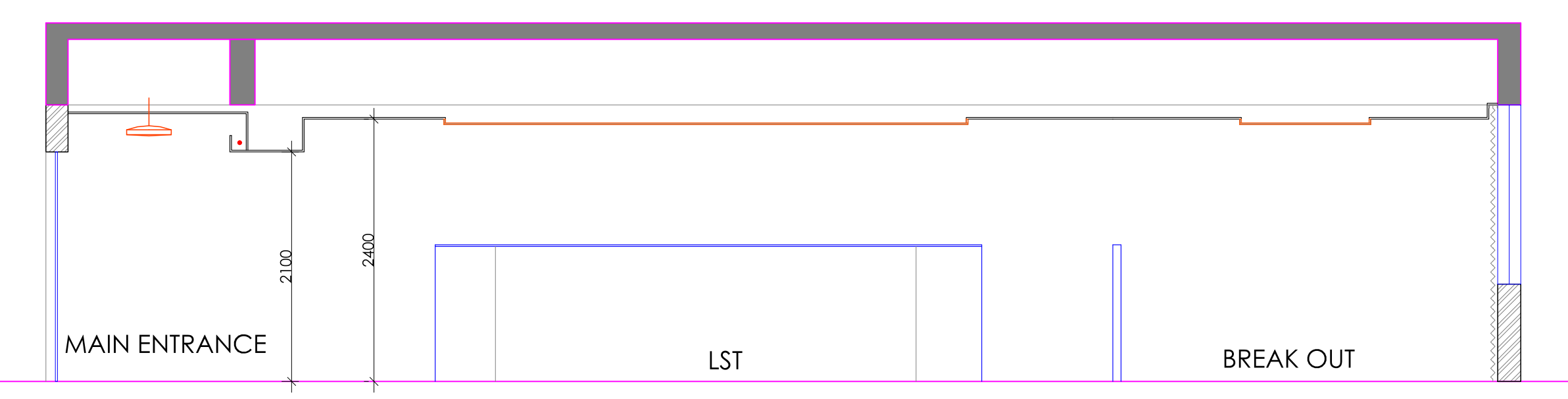
Type of Drawing :
 ELECTRICAL SYSTEM

DRAWING TITLE :-
 ELECTRICAL LT PANEL

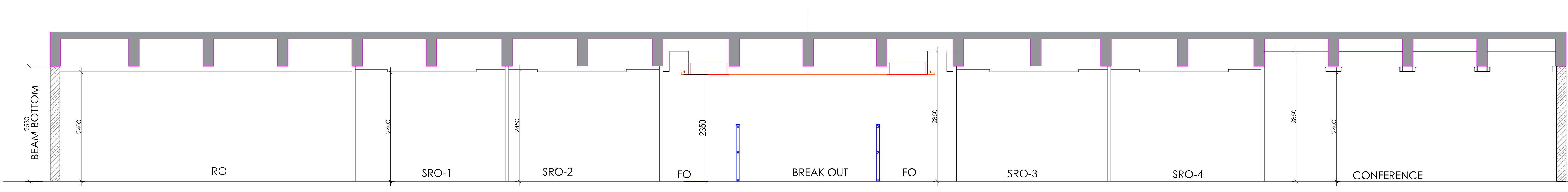
DRAWING No :-
 PA-E-157



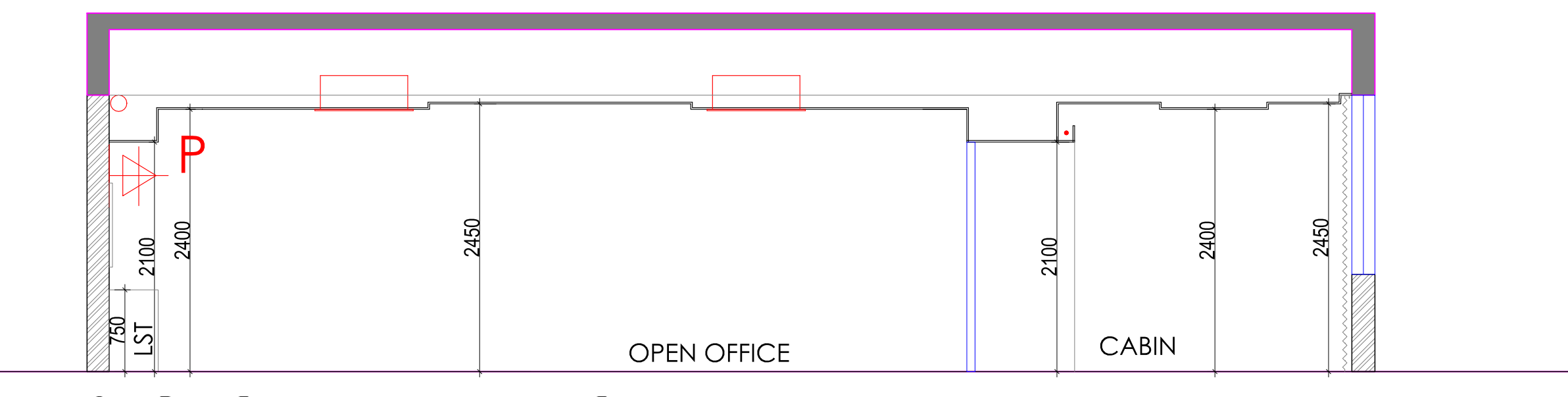
SECTIONAL ELEVATION -A



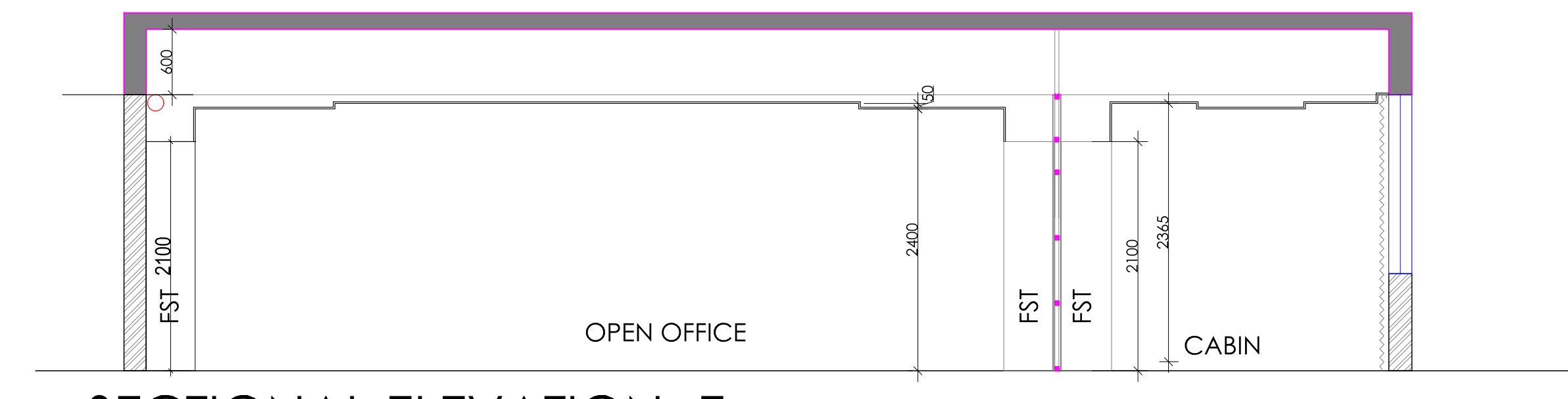
SECTIONAL ELEVATION -C



SECTIONAL ELEVATION -B



SECTIONAL ELEVATION -D



SECTIONAL ELEVATION -E

| FALSE CEILING LEGEND :- | | | |
|-------------------------|---|--------|---|
| SYMBOL | DESCRIPTION | SYMBOL | DESCRIPTION |
| | GYPSON FC @2100MM | | GYPSON FC @2350MM |
| | GYPSON FC @2400MM | | GYPSON FC @2450MM |
| | GYPSON FC @2850MM | | OPEN CELL GRID @2450MM |
| | ARMSTRONG @2450MM | | WOODEN PLANK @2350MM |
| | MOISTURE RES. (TOILET) @2350MM | | |
| LIGHTING LEGEND :- | | | |
| | 12W LED RECESS MOUNTED DOWN LIGHTER | | EXHAUST FAN -300MM DIA |
| | RECESS MOUNTED 32 W LED -2' x 2' LIGHT FIXTURE | | LED ROPE LIGHT OF 6W/MTR |
| | 2x10W LED MIRROR LIGHT | | 12W LED BRACKET LIGHT TO HIGHLIGHT PAINTINGS |
| | 28W LINEAR RECESSED LED LIGHT FIXTURE | | 3W EYE BALL TYPE LIGHT TO HIGHLIGHT PAINTINGS |
| | 20 WATTS LED SURFACE MOUNTED TUBELIGHT FIXTURE | | CIRCULAR SUSPENDED LIGHT (HIGH PRICE) |
| | SURFACE MOUNTED LIGHT FIXTURE | | CIRCULAR SUSPENDED LIGHT (STD PRICE) |
| | WALL MOUNTED DECORATIVE LIGHT AT R O CABIN | | CEILING SUSPENDED LIGHT -DIA-500MM |
| | 28W CEILING SUSPENDED LINEAR LIGHT AT ABOVE R O TABLE | | FAN -DIA-1200MM |

NOTES:
DRAWINGS SHALL NOT BE SCALED. WRITTEN DIMENSIONS TAKES PREFERENCE OVER SCALED DIMENSIONS. ALL DRAWINGS ARE INTER RELATED AND TO BE READ IN CONJUNCTION WITH OTHER RELEVANT CONSULTANTS DWGS. AND SPECIFICATIONS. ALL DRAWINGS ARE PROPERTY OF ARK DESIGNS PVT. LWD. AND CANNOT BE USED WITHOUT THEIR PRIOR PERMISSION.

| NO | DATE | CHANGE BY | REVISIONS |
|----|------|-----------|-----------|
| | | | |
| | | | |

| | |
|------------|---------------------------------|
| CLIENT: | MPCB |
| PROJECT: | PROPOSED INTERIOR OFFICE AT CBD |
| STAGE: | TENDER DRAWING |
| DATE | 11-04-19 |
| SCALE | 1:75 |
| DRAWN BY | PRIYANKA |
| CHECKED BY | UJWALA |

TITLE: FALSE CEILING LAYOUT-7TH FLR

JOB NO. M/01/2013

DRAWING NO. MPCB/TEN/INT/ FC

REVISION NO. 03

ARK
DESIGNS PVT LIMITED

COMPREHENSIVE CONSULTANCY
Email: teamarkdesigns@gmail.com Tel. No., 022 24449817, 24303535